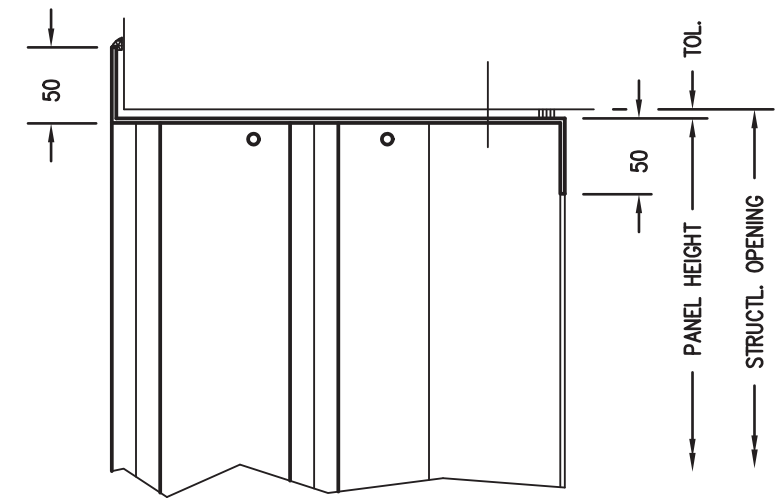
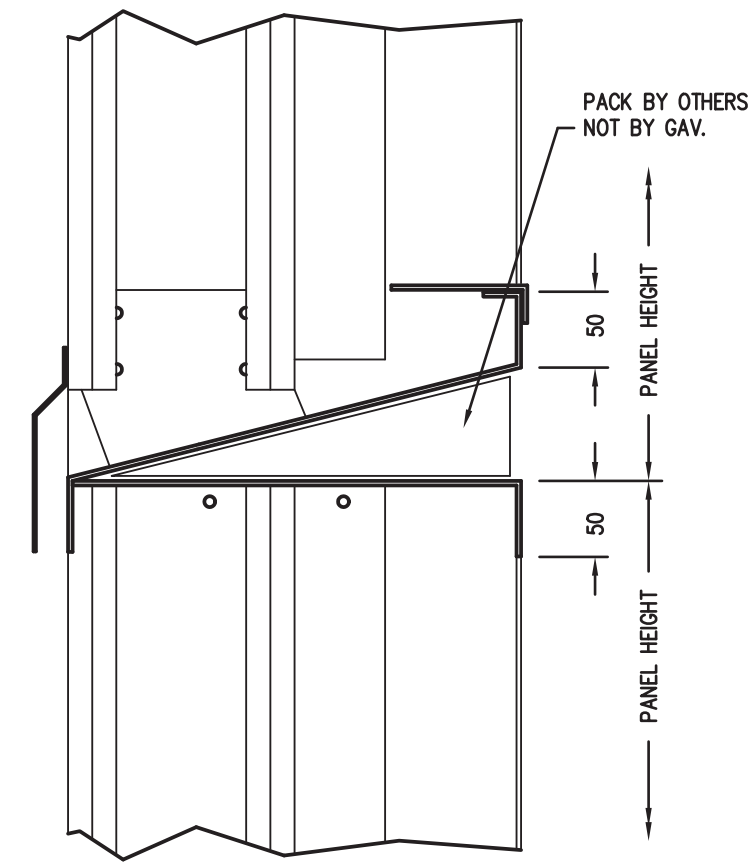


FLANGED DETAIL

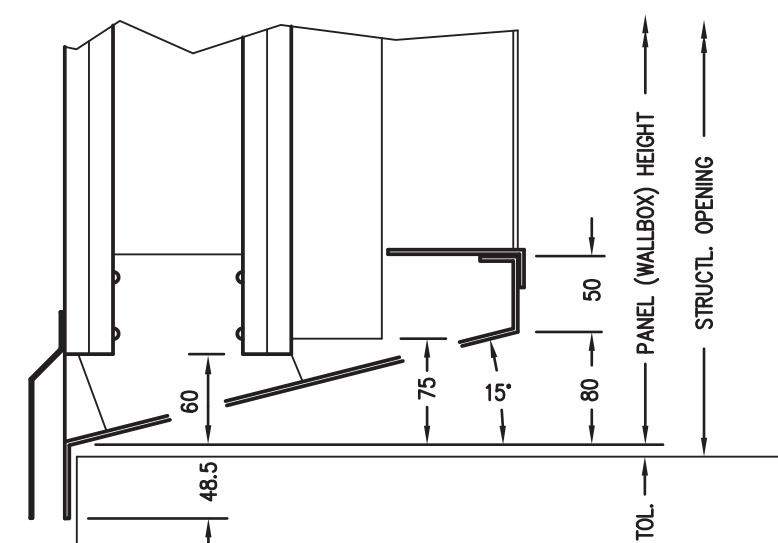
FRAMED DETAIL



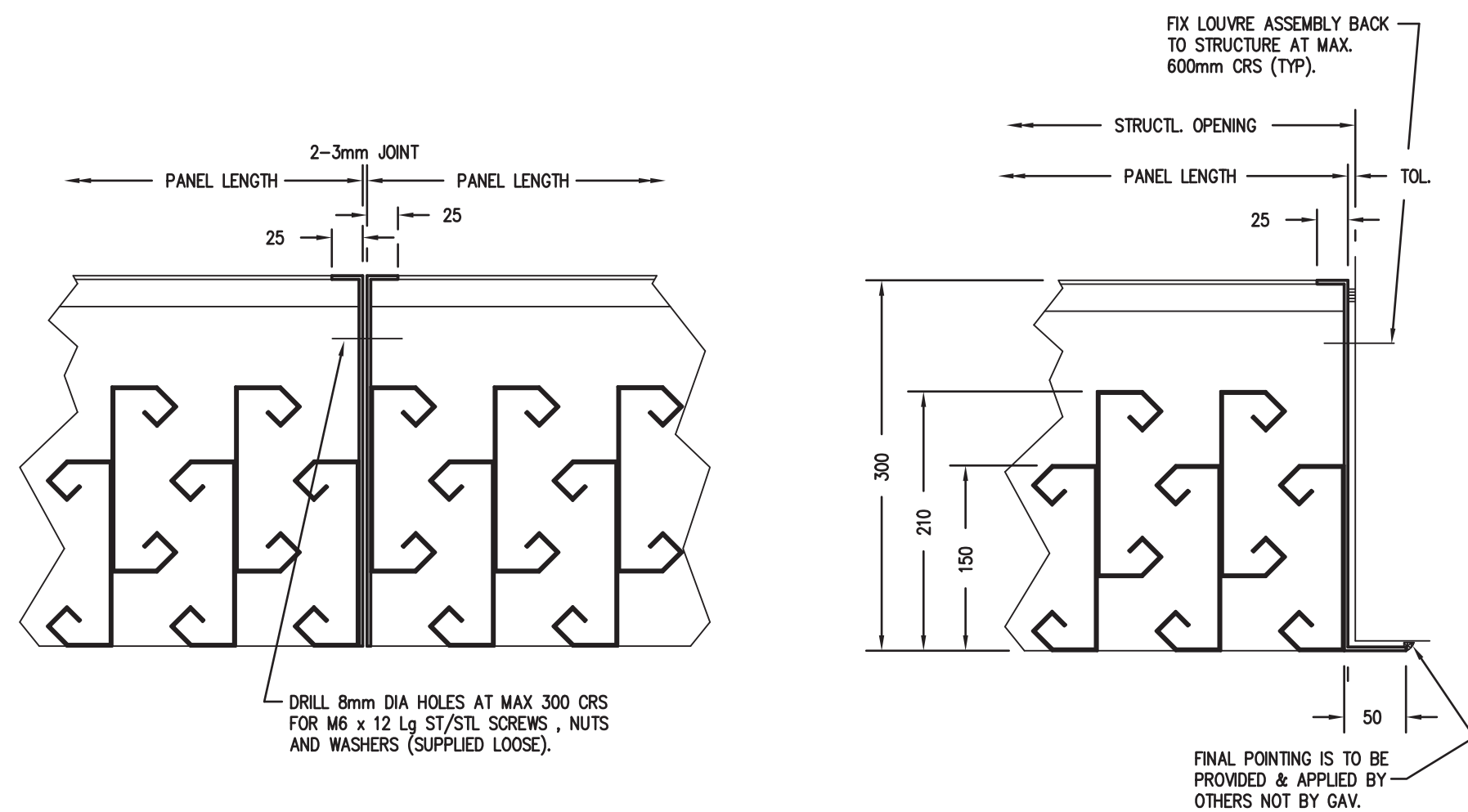
920. HEAD DETAIL



923. VERTICAL JOINT



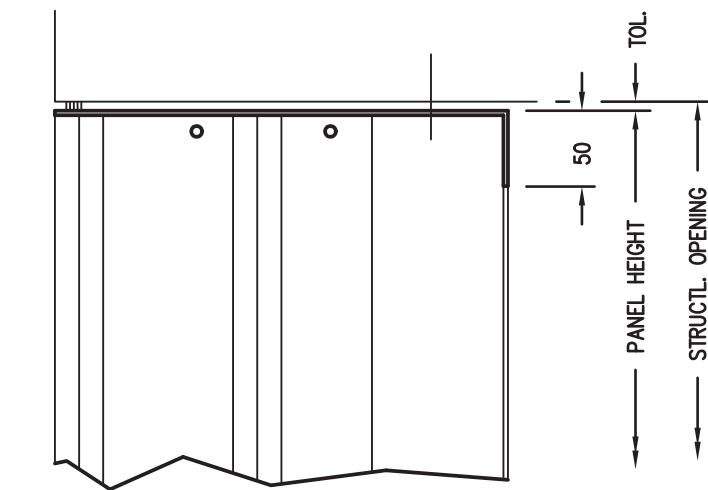
921. CILL DETAIL



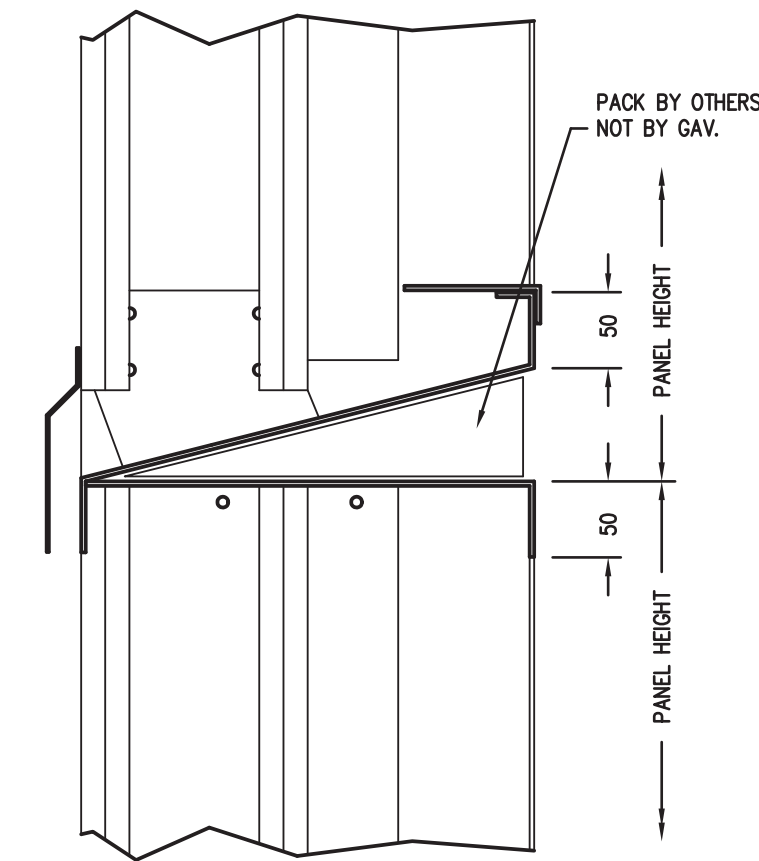
924. HORIZONTAL SECTION

922. JAMB DETAIL

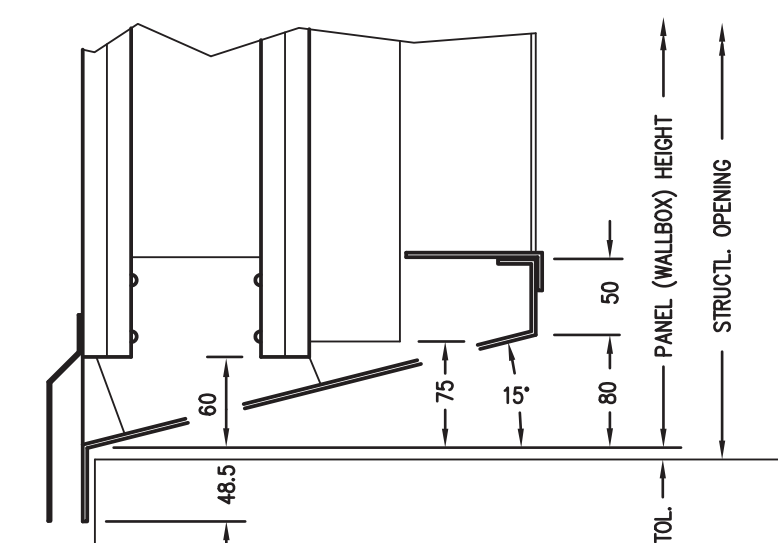
Gill Air's Sandtrap Louvre Systems are for filtration of airborne sand. Designed and developed for use with intake and exhaust ducts in air conditioning systems, acknowledged world wide as probably the most efficient sandtrap louvre manufactured. The High Performance Sandtrap Louvre is an extremely efficient louvre for extraction of airborne sand. Its' sophisticated design gives very low pressure drops at normal air velocities. Available in single panels for surface or flush-mounting, or as multi-panel assemblies.



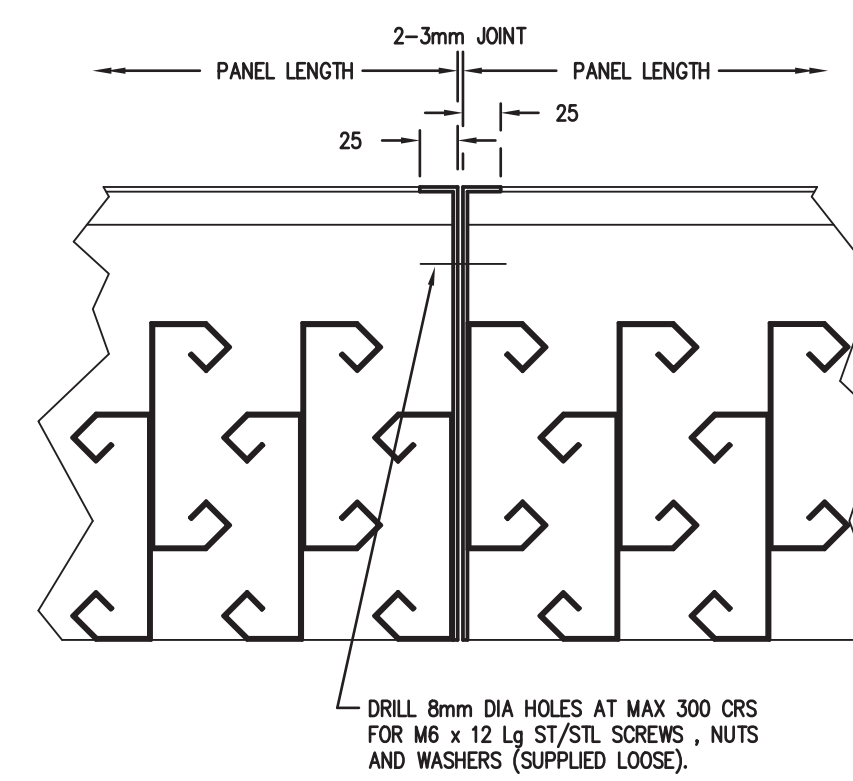
925. HEAD DETAIL



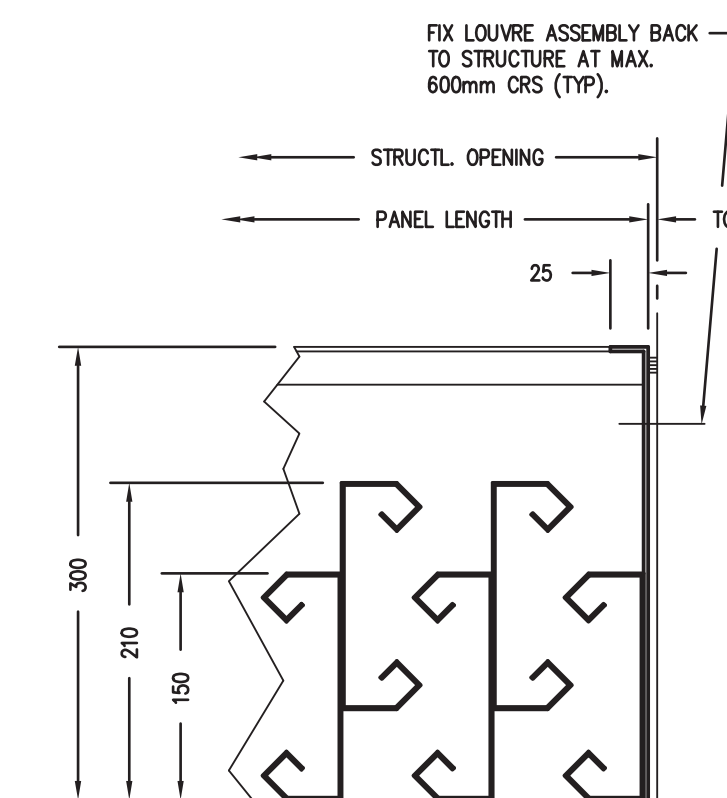
923. VERTICAL JOINT



921. CILL DETAIL



924. HORIZONTAL SECTION



926. JAMB DETAIL

SO SUPPLY ONLY S&F SUPPLY & FIX

LOUVRE TYPE : LOUVRE_TYPE
TRIM TYPE : TRIM_TYPE
GUARD TYPE : GUARD_TYPE
PAINT TYPE : PAINT_TYPE
FINISH : FINISH
COLOUR : COLOUR
LOCATION : LOCATION
CUSTOMERS REF : CUST_REF'S
GAV REF : GAV_REF'S

DO NOT SCALE DRAWING, IF IN DOUBT ASK.
ALL DETAILS & DIMENSIONS MUST BE CONFIRMED AS CORRECT BEFORE MANUFACTURE OF LOUVRES CAN COMMENCE.
CUSTOMER DRAWINGS USED :-
CUST_DRAWINGS_USED

Rev Description Mod. By Date

© COPYRIGHT 2009 HUNTER PRODUCTS
THIS DRAWING & DESIGN ARE THE PROPERTY OF HUNTER PRODUCTS GROUP., AND MUST NOT BE COPIED OR USED IN ANY WAY PREJUDICIAL TO THEIR INTERESTS.

Project

Customer

Drawing Title

SANDTRAP LOUVRE

Location/Panel Ref. PANEL_LOCATION

Drawing No. Sheet No. Revision

Scale SCALE Date DATE

Computer File No. Project No. COMPUTER_FILE_NO CONTRACT_NO

Drawn By DRAWN_BY Checked By CHKED_BY

Coordinated By CONTRACT_ENGINEER Approved By APP'VD_BY

GILL AIR

OFFICE SUITE 3, J2 BUSINESS PARK,
BRIDGE HALL LANE, BURY, BL9 7NY
Tel: 0161 763 3735 www.gillair.net

NOTE: The details shown within this drawing are for use as an aid only. If you are unsure which blocks are best suited for your application please contact our technical team on (0161) 763 3735 and we will be

© COPYRIGHT 2009 HUNTER PRODUCTS
THIS DRAWING & DESIGN ARE THE PROPERTY OF HUNTER PRODUCTS GROUP., AND MUST NOT BE COPIED OR USED IN ANY WAY PREJUDICIAL TO THEIR INTERESTS.